

HORTICULTURAL LED LUMINAIRE FLEX20



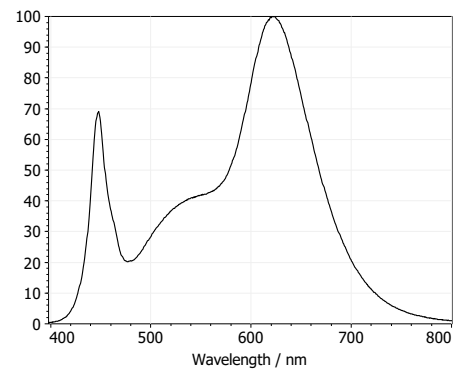
Versatile, modular plant illumination system for professional use in plant production. Highly efficient light generation and light guidance. Highest light homogeneity within the cultivation area guarantees homogenous growth/yield. Optimised for multi-layer cultivation. Passively cooled. Ingress protection class IP68. Flexible and modular installation. Daisy-chainable.



Electrical Properties	Value	Unit
typical power consumption ¹	19,2	W
input voltage range ¹	48	V DC

Further Properties	Value	Unit
emission wavelength range	400 - 780	nm
PPF ²	40,7	μmol/s
module efficiency ³	2,12	μmol/J
angle of radiation (<i>rectangular illumination footprint with maximum homogeneity</i>)	90°	symmetric
x – colour space coordinate ⁴	0,42	warm white colour impression
y – colour space coordinate ⁴	0,35	
dimensions	880x31x25	mm
weight	450	g
DC-cable length at end of luminaire	100	mm
protection rating	IP68	
ambient operating temperature range	5 – 40	°C
max. relative air humidity for operation	100	%

Spectral Power Distribution



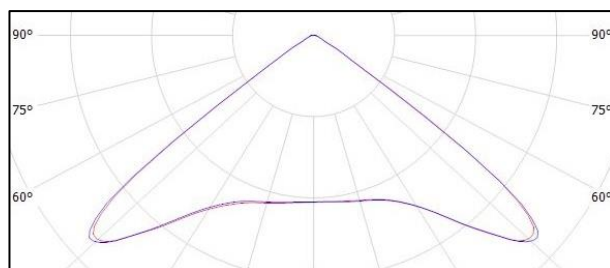
¹ LED-module

² Photosynthetic Photon Flux LED-module;

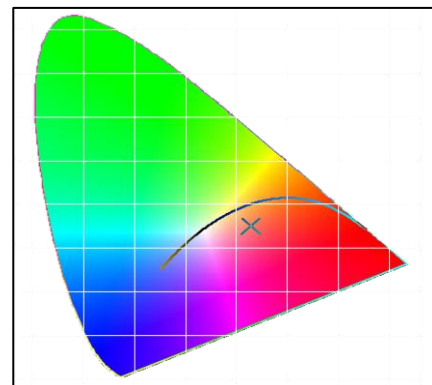
³ PPF per Watt electrical power consumption LED-module; fluorescent tube = 1,3μmol/J

⁴ according to CIE 1931

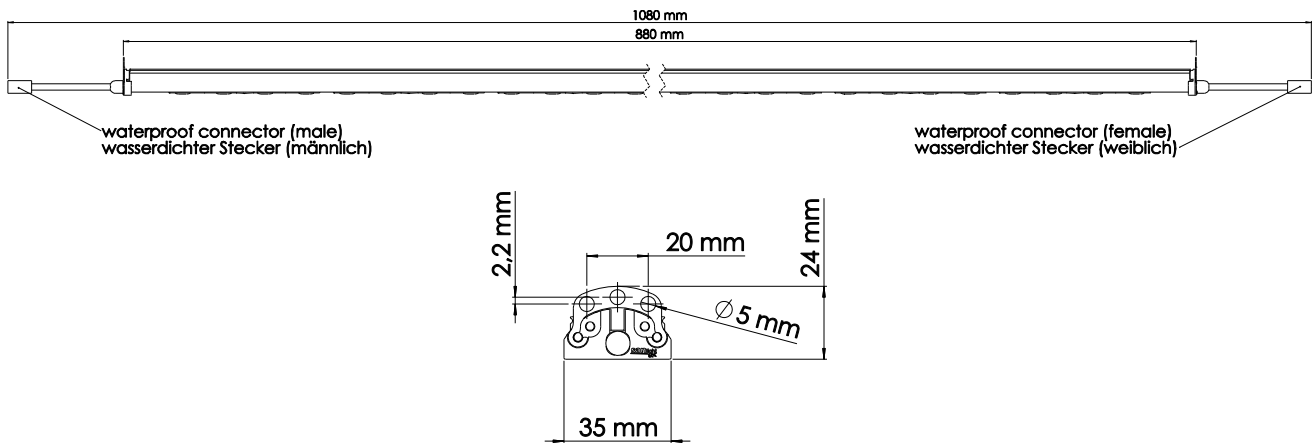
Angular Light Distribution (C0/C90)



Colour Space Location According to CIE 1931



additional dimensions:



For maximum cost effectiveness and efficiency of the overall illumination system we strongly recommend an individual light planning. Please contact us via support@sanlight.info.